

Series W-912-16P(DN15-DN80)

Electrical Two-way Control Valve

◆ Application

The Series W-912 Electric Two-way Control Valves are used with Series W-A11 actuators. They are extensively applied to HVAC water systems, boiler systems, heat exchange systems or AHU steam systems to regulate the flow rates of fluids in these systems.

◆ Features

- Equal percentage control characteristic achieves high control precision.
- Electronic presetting function facilitates on-site commissioning.
- Automatic fault detection and alarm functions.
- Overload protection function for the power supply.

◆ Operating Principles

After the valve's actuator receives a control signal from the BA System, the actuator moves the valve stem to regulate the valve's opening rate, and thus changes the system's flow rate.

◆ Technical Specification

Dimensions:	DN15-DN80
Working Temperature:	-25~150°C (Water Valve) 2~180°C (Steam Valve)
Working Pressure:	PN16
Fluid Medium:	Water / Ethylene Glycol / Propylene Glycol / Steam
Connection:	Threaded Connection
Connection Standard:	ISO 7/1
Flow Deviation:	±5%
Function:	Two-way Control
Control Characteristic:	Equal Percentage
Leak Rate:	≤ 0.02% Kvs

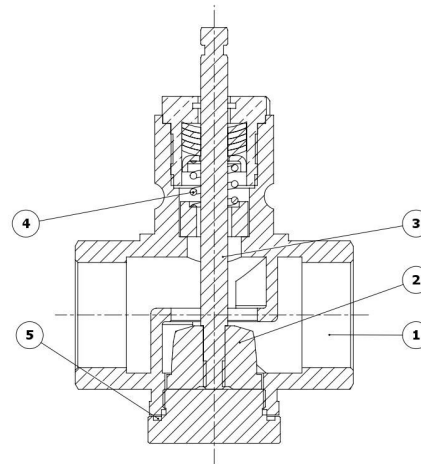
Materials:	
- Valve Body:	Stainless Steel
- Valve Core:	Stainless Steel
- Valve Stem:	Stainless Steel
- Spring:	Stainless Steel
- Sealing:	PTFE

◆ Technical Parameters

Product Type:

Water Valve: (Working Temperature -25~150°C)

Type	Size	Kvs	Stroke (mm)	Actuator Force(N)	Shutoff ΔP(KPa)
W-912AW015-16P	DN15	1.9	10	500	≤ 1600
W-912AW020-16P	DN20	4.4	10	500	≤ 1100
W-912AW025-16P	DN25	8	15	500	≤ 700
W-912AW032-16P	DN32	10	20	500	≤ 400
W-912AW040-16P	DN40	20	20	500	≤ 250
W-912BW050-16P	DN50	32	20	1000	≤ 300
W-912BW065-16P	DN65	50	20	1000	≤ 1600
W-912BW080-16P	DN80	66	20	1000	≤ 1600



Steam Valve: (Working Temperature 2~180°C)

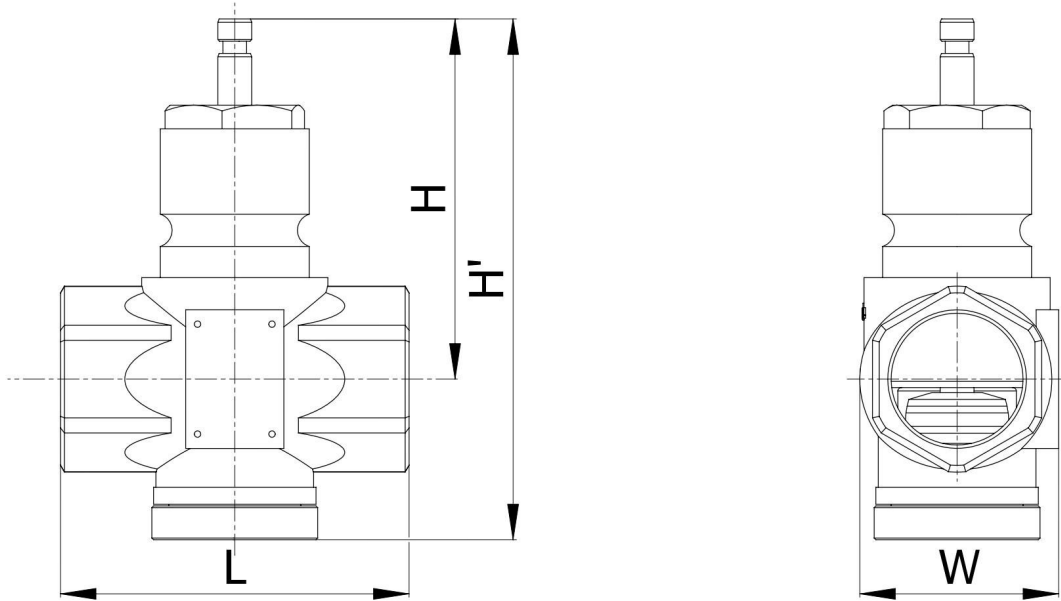
Type	Size	Kvs	Stroke (mm)	Actuator Force(N)	Shutoff ΔP (KPa)
W-912AS015-16P	DN15	1.9	10	500	≤ 1600
W-912AS020-16P	DN20	4.4	10	500	≤ 1100
W-912BS025-16P	DN25	8	15	1000	≤ 1200
W-912BS032-16P	DN32	10	20	1000	≤ 800
W-912CS040-16P	DN40	20	20	1800	≤ 1200
W-912CS050-16P	DN50	32	20	1800	≤ 750

Coding Rules:

W	WATTS	W-912AW015-16P
9	Electronic	
1	Threaded Connection	
2	Two-way	
Actuator Force		
A: 500N	B: 1000N	
C: 1800N		
Fluid Medium		
W: Water	S: Steam	
Size		
015-DN15	020-DN20	
025-DN25	032-DN32	
040-DN40	050-DN50	
065-DN65	080-DN80	
Pressure Class PN16		
Body Material Stainless Steel		

◆ Installation

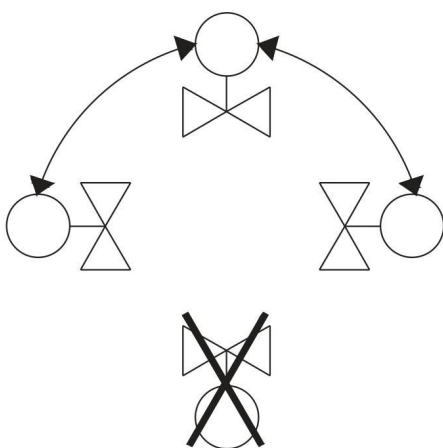
The valve must be installed vertically. The direction of the arrow head on the valve body should be in line with the flow direction. As for the electronic actuator, its wiring should be correct, and it cannot be exposed to water.



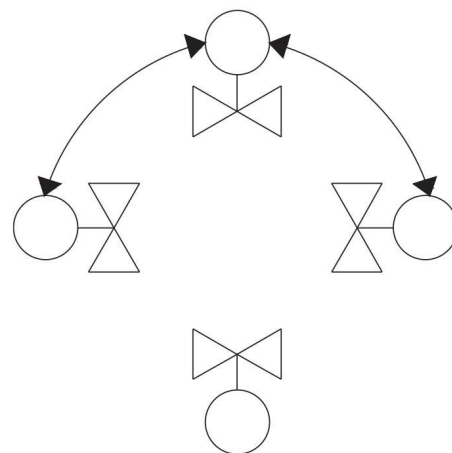
Installation Dimensions:

Size	L(mm)	H(mm)	H'(mm)	W(mm)	H+Actuator(mm)	Weight(Kg)
DN15	80	95	133	44	256	1
DN20	80	98	138	44	259	1.1
DN25	100	101	145	53	262	1.5
DN32	103	107	154	60	268	1.8
DN40	122	113	165	70	274	2.3
DN50	138	118	183	82	279	3.4
DN65	160	128	205	102	289	5.2
DN80	180	135	222	125	296	6.8

Installation Direction:



Downward Installation Prohibited
(Fluid Medium: Cold/Hot Water)



Installed in Random Angle
(Fluid Medium: Steam)